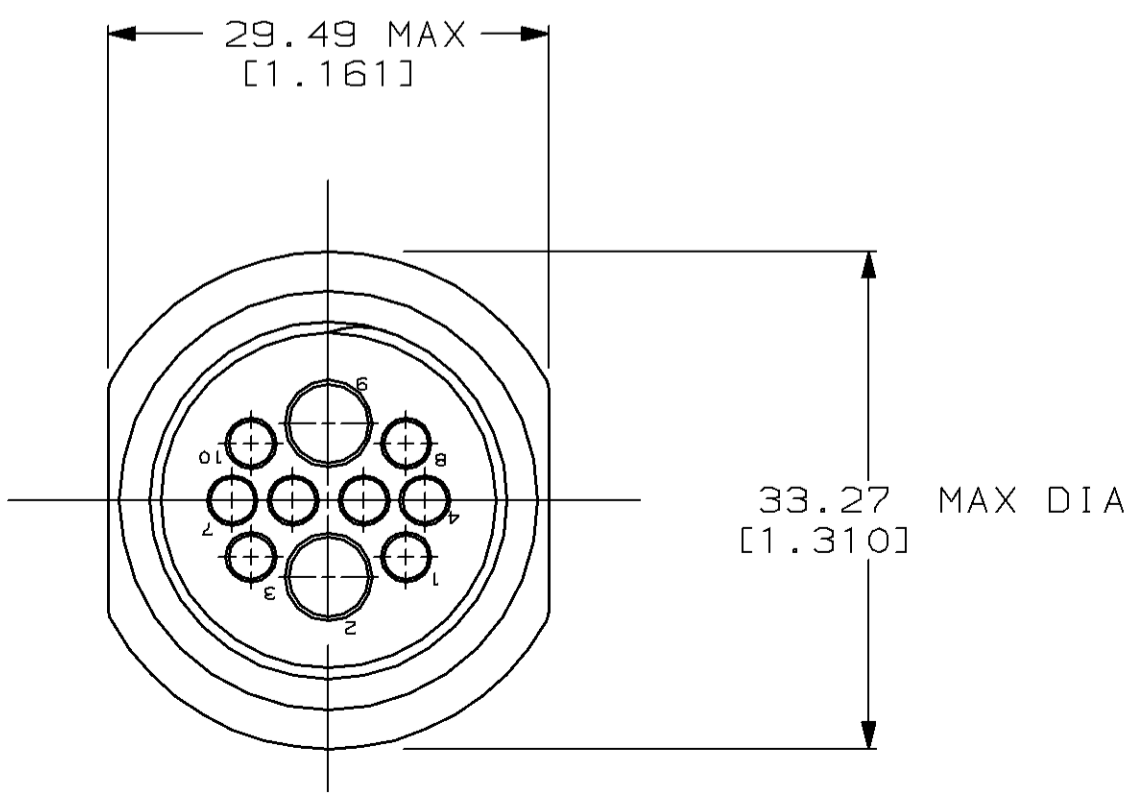
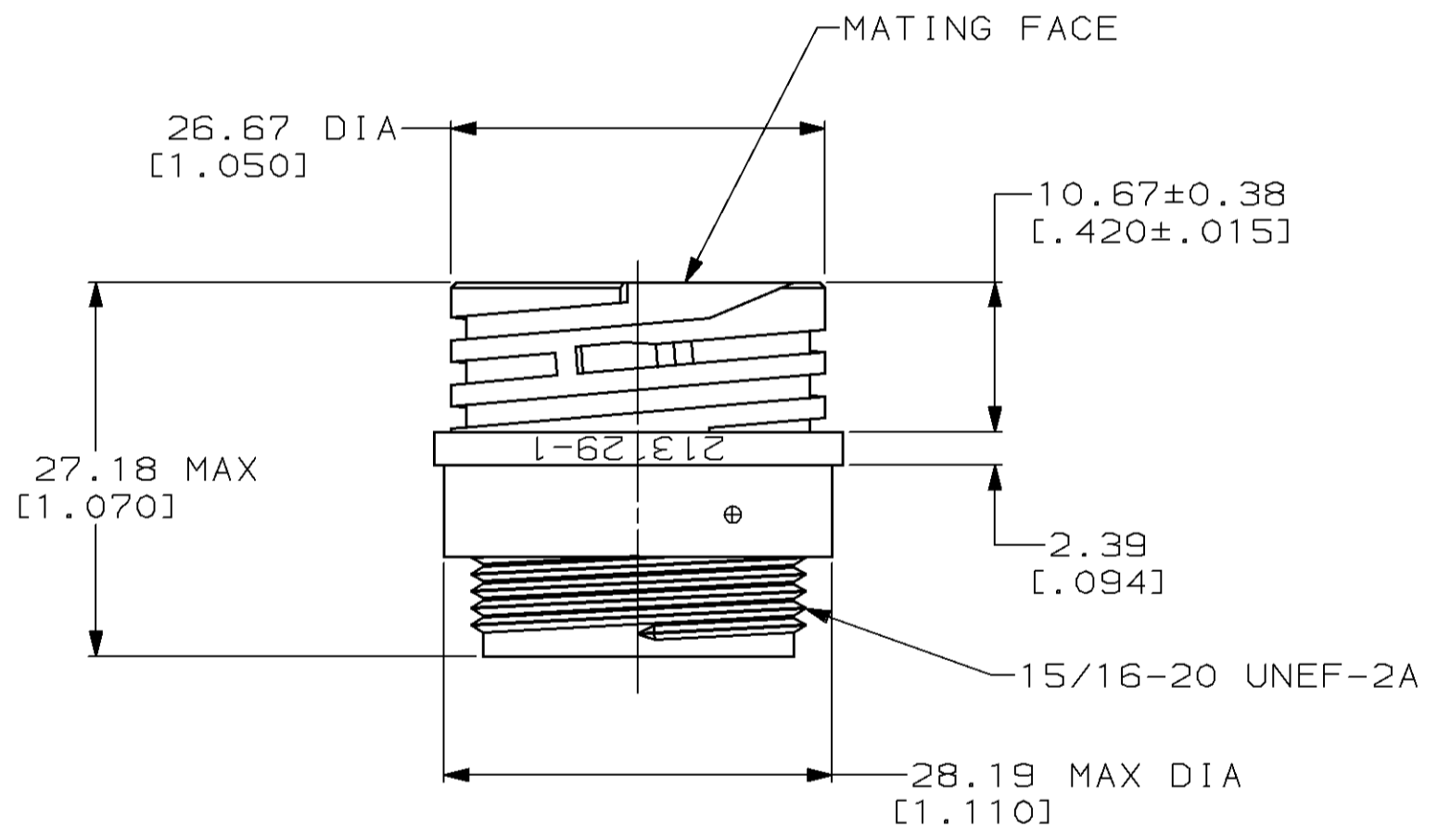
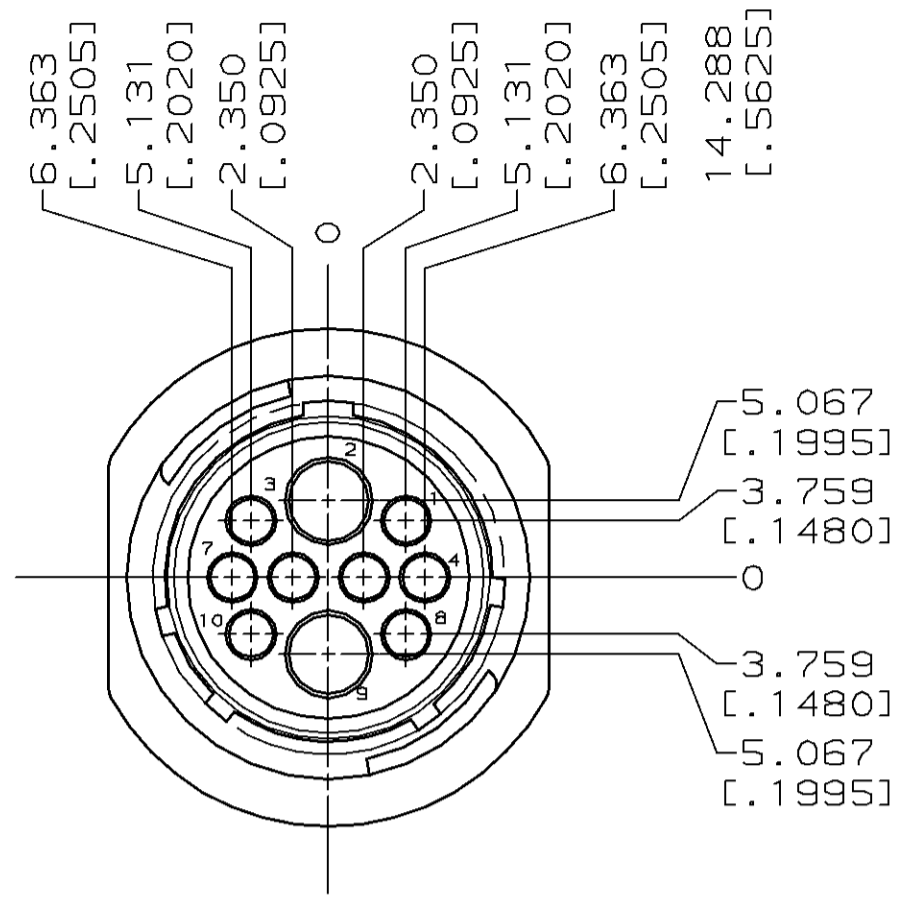


THIS DRAWING IS UNPUBLISHED. RELEASED FOR PUBLICATION
 BY AMP INCORPORATED. ALL RIGHTS RESERVED.

LOC	DIST	REVISIONS			
P	LTR	DESCRIPTION	DATE	DWN	APVD
BD	35	E	REDRAW ON CAD EC 0020-532-95	05/23/95	-



1. THIS CONNECTOR WILL ACCEPT TWO TYPE I, SIZE 12 SOCKET CONTACTS AND EIGHT MULTIMATE SOCKET CONTACTS.
2. TYPE I CONTACTS MATE FIRST, BREAK LAST.
3. MAX WIRE INSULATION USED WITH THIS RECEPTACLE IS 2.67[.105] DIA FOR MULTIMATE SOCKET CONTACTS.

213129-1
 PART NUMBER

THIS DRAWING IS A CONTROLLED DOCUMENT FOR AMP INCORPORATED. IT IS SUBJECT TO CHANGE AND THE CONTROLLING ENGINEERING ORGANIZATION SHOULD BE CONTACTED FOR THE LATEST REVISION.		DWN C. OBERMAN 5-25-95	AMP Incorporated Harrisburg, PA 17105-3608
DIMENSIONS: mm [INCHES]		CHK R. STONE 5-25-95	
TOLERANCES UNLESS OTHERWISE SPECIFIED:		APVD A. FRANTUM 5-25-95	NAME RECEPTACLE, ARR 17-10M, REVERSE SEX, SERIES 4, CLASS A, FREE-HANGING, CPC
0 PLC ±-	1 PLC ±-	PRODUCT SPEC	SIZE A2
2 PLC ±0.25 [.010]	3 PLC ±0.250 [.0100]	APPLICATION SPEC	CAGE CODE 00779
4 PLC ±-	ANGLES ±-	FINISH	DRAWING NO 213129
MATERIAL NYLON, BLACK		WEIGHT	SCALE 2:1
		CUSTOMER DRAWING	SHEET 1 OF 1
			REV E

213129